

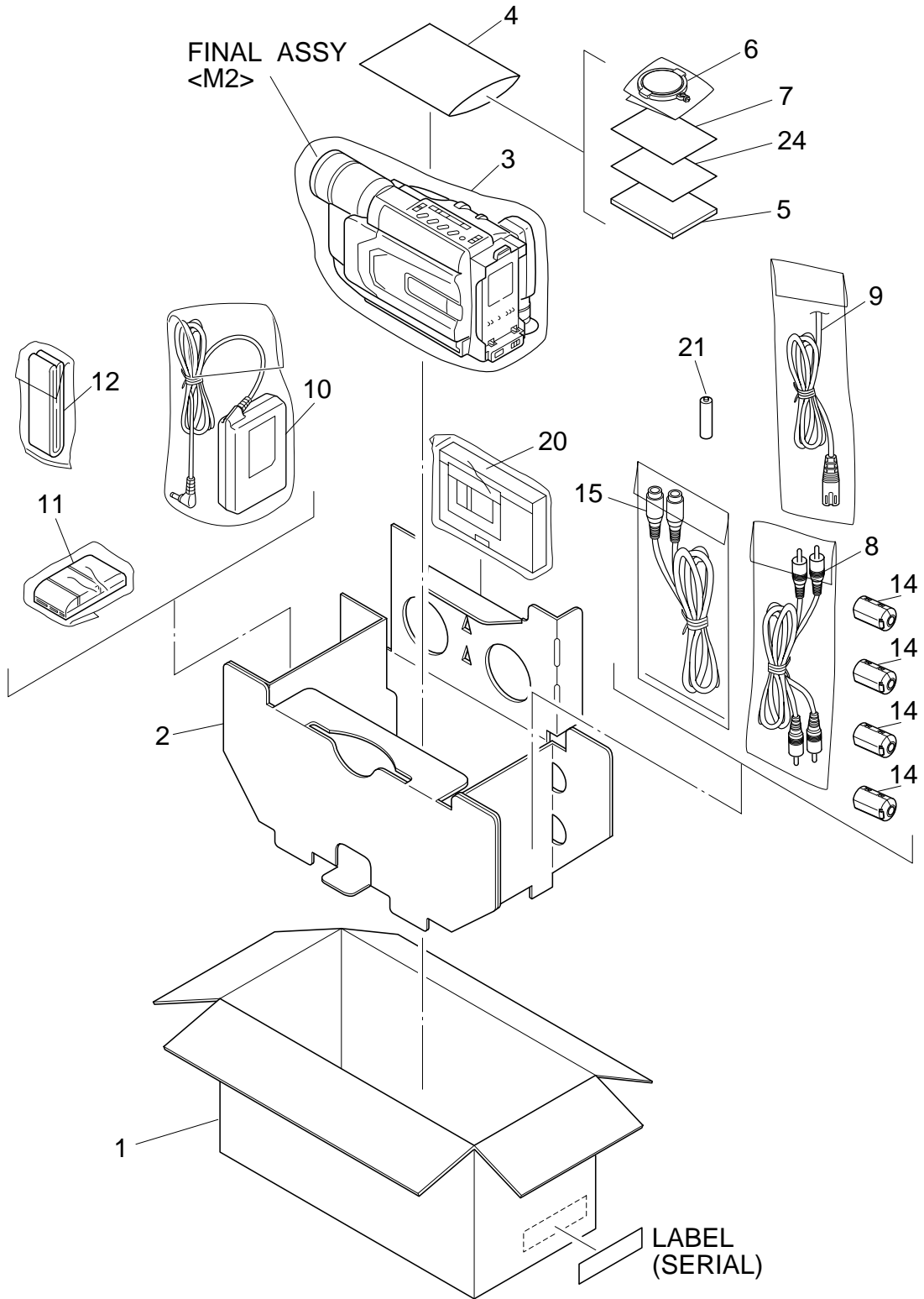
SECTION 5 PARTS LIST

SAFETY PRECAUTION

Parts identified by the  symbol are critical for safety. Replace only with specified part numbers.

5.1 PACKING AND ACCESSORY ASSEMBLY <M1>

The instruction manual to be provided with this product will differ according to the destination.



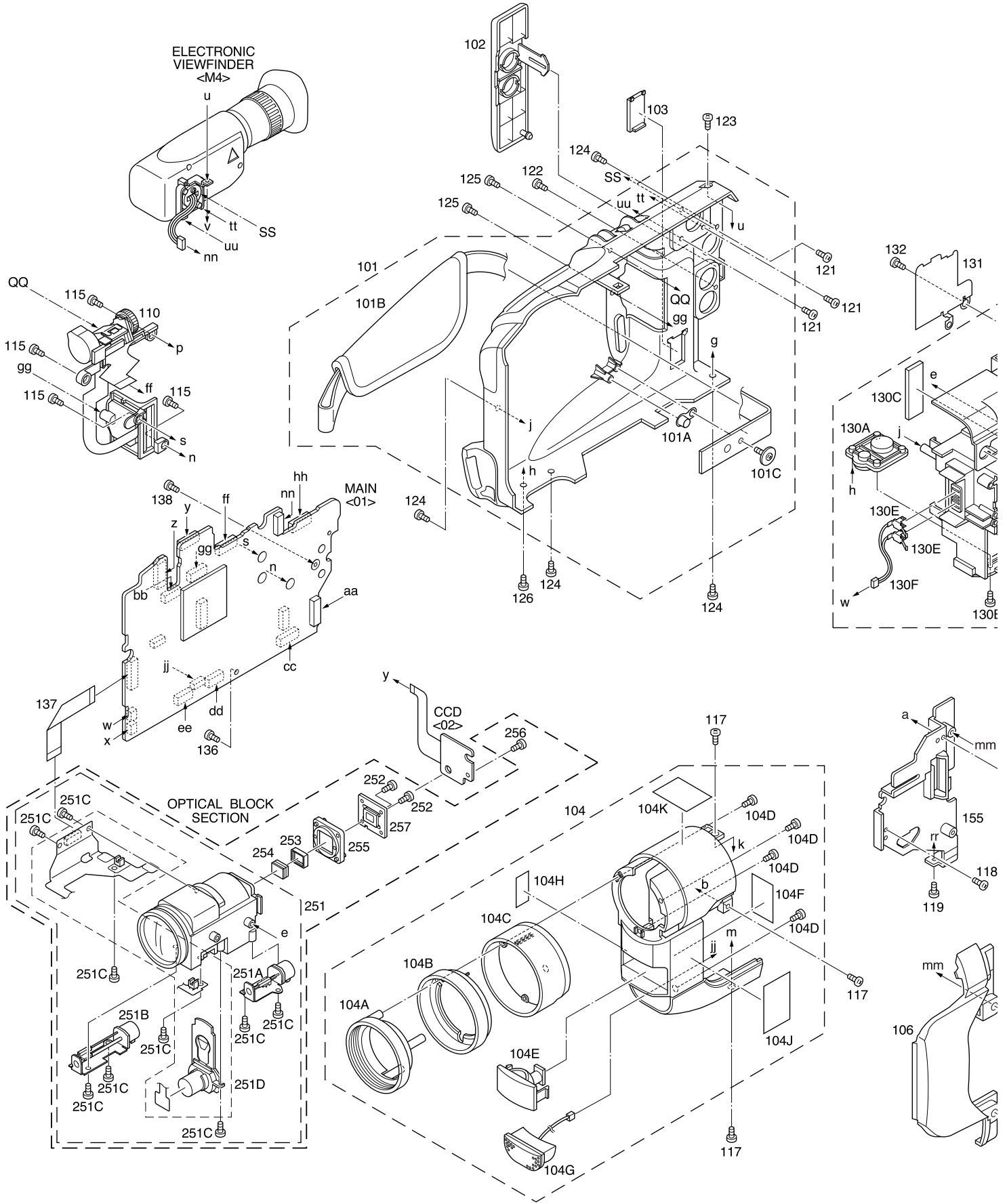
△ REF No. PART No. PART NAME, DESCRIPTION

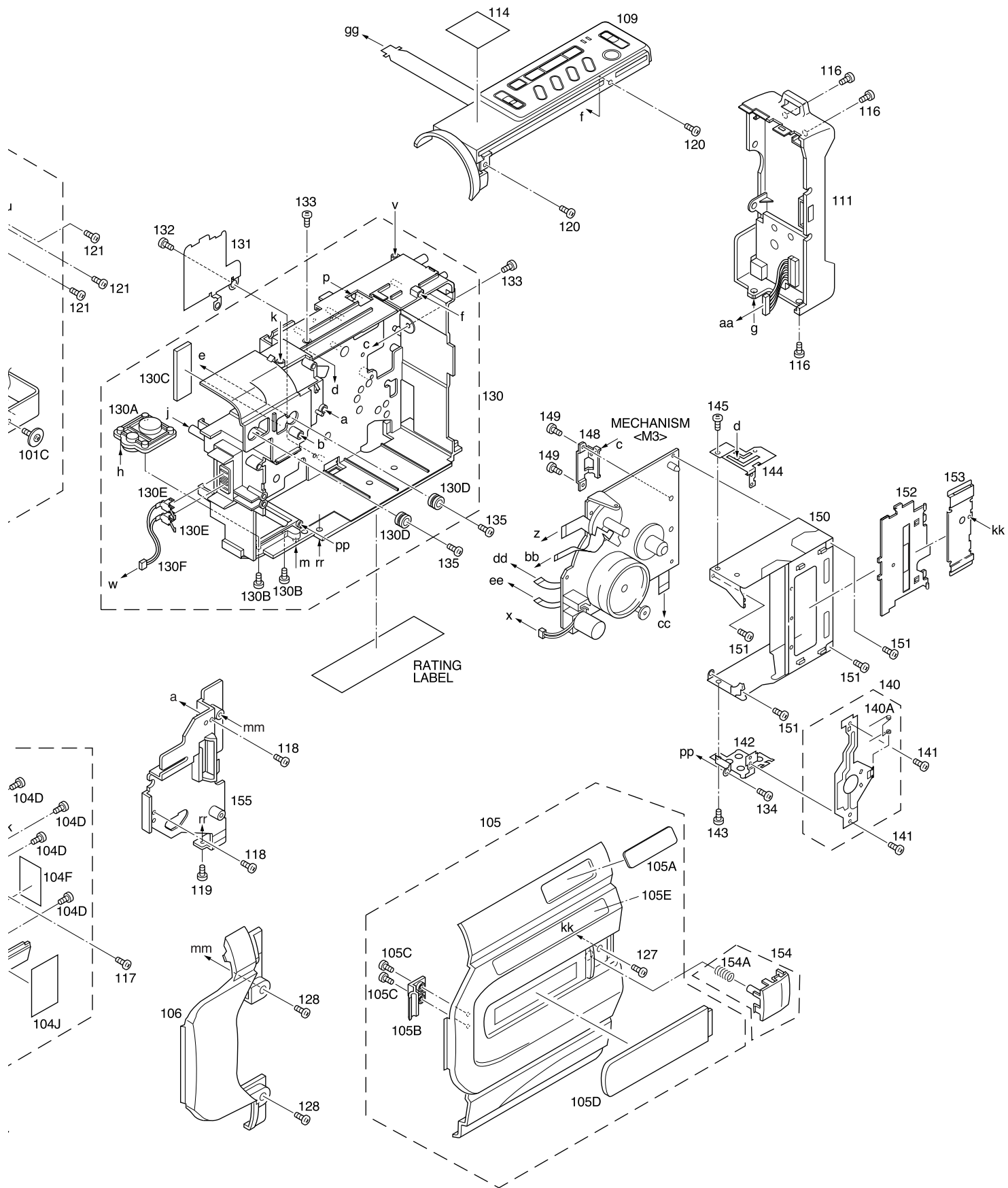
PACKING AND ACCESSORY ASSEMBLY <M1>

1	LY32179-003A	PACKING CASE
2	LY32065-001A	CUSHION
3	LY30023-002A	POLY BAG
4	QPA02003506	POLY BAG
△ 5	LYT0683-001A	INST.BOOK(EN)
6	LY41538-002B	LENS CAP
7	BT-56001-2	WARRANTY CARD
8	PEAC0362-150	CABLE ASSY(AUDIO/VIDEO)
△ 9	QMPH120-190-JR	POWER CORD
△ 10	LY20688-007A	AC ADAPTER,AP-V10EA
△ 11	YQ10629E	BATTERY PACK,BN-V11U
12	LY20186-001A	SHOULDER STRAP
14	QQR0491-002	CORE FILTER,X4
15	QAM0004-003	S CABLE,S-VIDEO CABLE
20	YQ31963A-3	C.ADAPTER ASSY
21	-	BATTERY,(R6P TYPE)
24	BT56002-2	SER.NET CARD

• **INSTRUCTIONS**
 EN ENGLISH

5.2 FINAL ASSEMBLY <M2>





#	△ REF No.	PART No.	PART NAME, DESCRIPTION

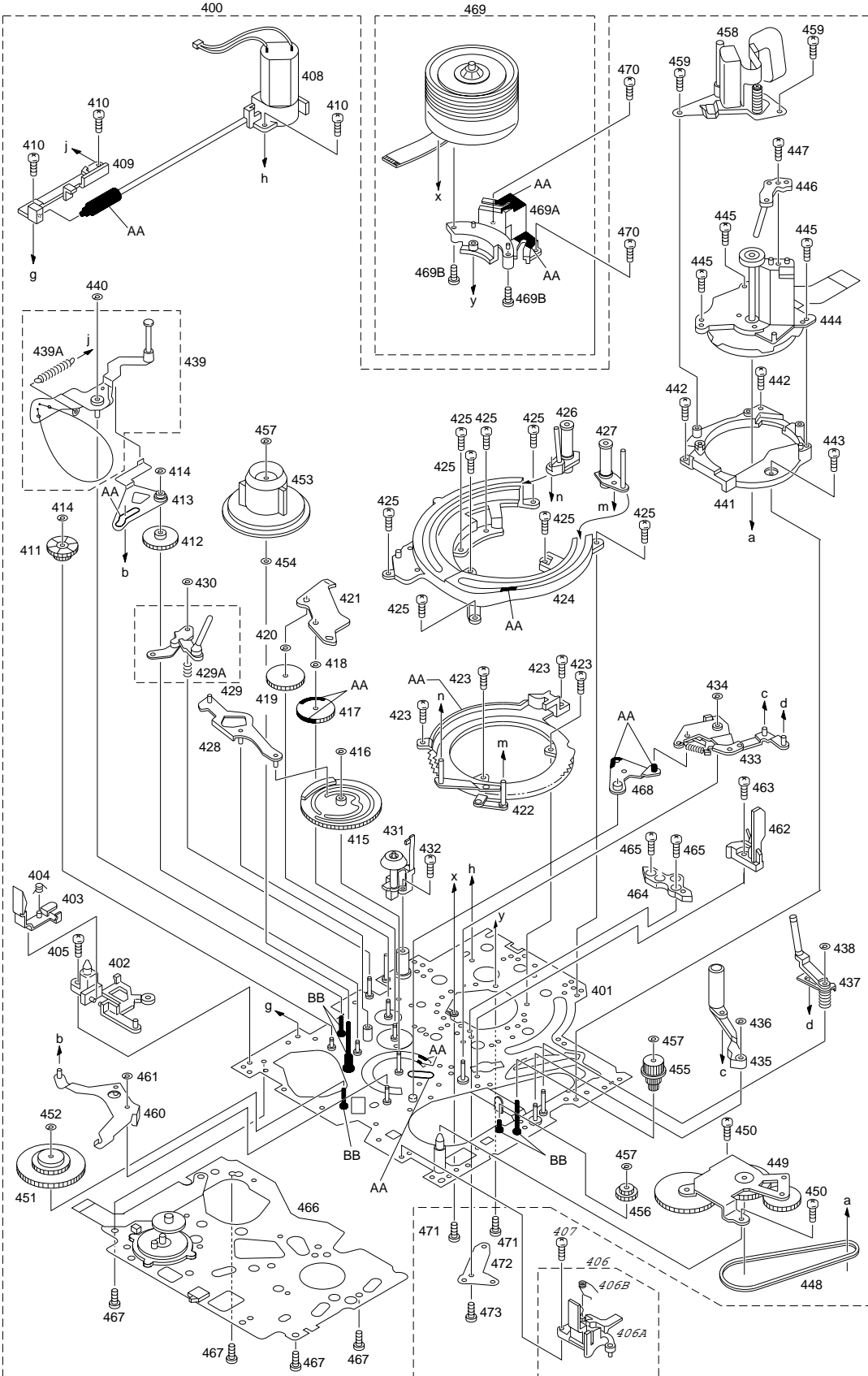
FINAL ASSEMBLY <M2>			
		101	LY20684-004A LOWER CASE ASSY
		101A	LY40081-001A CAP
		101B	LY20682-001A GRIP BELT
		101C	LY30018-003A SPECIAL SCREW
		102	LY31945-001B COVER(JACK)
		103	LY31946-001A COVER(JIG)
		104	LY20683-014A FRONT COVER ASSY
		104A	LY31937-001A HOOD
		104B	LY31938-001A COVER(HOOD)
		104C	LY31936-001A RING
		104D	QYSLSF2060D SCREW,X4
		104E	LY32040-001A DC LIGHT
		104F	LY30029-0B4A SPACER(A)
		104G	LY32043-001A MICROPHONE
△		104H	YQ44341-6 CAUTION LABEL
		105	LY20680-001D CASS.COVER(S)ASSY
		105A	LY42883-001A MARK
		105B	LY32024-001A HINGE(C.COVER)
		105C	QYSLSF2060D SPECIAL SCREW,X2
		105D	LY32023-001A WINDOW(S)
		105E	LY32059-002A STICKER(B)
		106	LY10272-001A UPPER CASE(S)
		107	LY32058-002A STICKER(A)
		108	LY32060-002A STICKER(C)
		109	LY20614-002B TOP OPE UNIT
		110	LY20613-001A ZOOM UNIT
		111	LY20615-003A REAR UNIT
		114	LY32061-001A STICKER
		115	QYSLSF2060D SCREW,X5
		116	QYSLSF2060D SCREW,X3
		117	QYSLSF2060D SCREW,X3
		118	QYSLSF2060D SCREW,X2
		119	QYSLSP2030D SCREW
		120	QYSLSF2060D SCREW,X2
		121	QYSLSF2050Z SCREW,X3
		122	QYSLSF2060D SCREW
		123	QYSLSF2060D SCREW
		124	QYSLSF2060D SCREW,X4
		125	QYSLSF2060D SCREW,X2
		126	QYSLSF2060D SCREW
		127	QYSLSP2030D SCREW
		128	QYSLSF2060D SCREW,X2
		130	LY20678-001B FRAME ASSY
		130A	YQ31843 BASE
		130B	QYSLSF2060D SCREW,X2
		130C	LY30029-0A4A SPACER(A)
		130D	LY41082-001A CUSHION(OP),X2
		130E	YQ43810-1-1 CONTACT(LIGHT),X2
		130F	WJM0167-001A E-SI C WIRE C-F,MAIN CN4
		131	LY42758-001A S.CASE(MAIN)
		132	QYSPSTU1725M SCREW
		133	LY41173-001A SPECIAL SCREW,X2
		134	QYSLSF1750D SCREW
		135	LY30018-050A SPECIAL SCREW,X2
		136	QYSLSF2060D SCREW

#	△ REF No.	PART No.	PART NAME, DESCRIPTION
		137	WJT0039-001A E-CARD WIRE,OP-MAIN CN15
		138	QYSLSF2060D SCREW
		140	LY31790-001A FRONT FRAME ASSY
		140A	YQ44144-1-1 TAPE GUIDE
		141	SPSH1725M SCREW,X2
		142	LY31807-001A SIDE BRACKET L
		143	LY42722-003A SCREW
		144	LY31806-001A SIDE BRACKET R
		145	LY42722-003A SCREW
		148	LY31816-001A BRACKET(MECHA)
		149	LY42722-003A SCREW,X2
		150	LY31808-001A C.HOUSING ASSY
		151	LY42722-003A SCREW,X4
		152	LY31294-001B C.COVER INSIDE
		153	LY32026-001B BRACKET(C.C/S)
		154	LY32041-001B BUTTON(P)ASSY
		154A	LY30002-049A COMPRESSION SPRING
		155	LY32038-001A UPPER COVER(S)ASSY
- OPTICAL BLOCK SECTION -			
		251	LY30948-003A OP BLOCK ASSY
		251A	PTY30948-002 FOCUS MOTOR
		251B	PTY30948-301 ZOOM MOTOR
		251C	PTY30151-016 SCREW,X9
		251D	PTY30948-006 IRIS MOTOR UNIT,INCL.FPC
		252	QYSPSGU2080Z SCREW,X2
		253	LY31441-001A SPACER RUBBER
		254	LY41370-001A OP LPF
		255	LY20086-001A CCD SPACER
		256	LY30018-072A SPECIAL SCREW
		257	LYH40018-004A CCD BASE ASSY

5.3 MECHANISM ASSEMBLY <M3>

BEWARE OF BOGUS PARTS

Parts that do not meet specifications may cause trouble in regard to safety and performance. We recommend that genuine JVC parts be used.



Classification	Part No.	Symbol in drawing
Grease	KYODO-SH-P	AA
Oil	YTU94027	BB

NOTE: The section marked in **AA** and **BB** indicate lubrication and greasing areas.

#	△ REF No.	PART No.	PART NAME, DESCRIPTION	#	△ REF No.	PART No.	PART NAME, DESCRIPTION

MECHANISM ASSEMBLY <M3>							
400		YMA0031A-E	MECHA(B)ASSY	454		LY42755-001A	WASHER
401		LY20612-001A	MAIN DECK ASSY	455		LY31924-001A	TAKE-UP GEAR
402		LY31817-001A	CAS.GUIDE(L)	456		LY42738-001A	BRAKE SUB GEAR
403		LY31815-001A	SW.LEVER(L)	457		LY42754-003A	SLIT WASHER,X3
404		LY42581-001A	TORSION SPRING	458		LY42544-001A	A/C HEAD UNIT
405		LY42722-001A	SCREW	459		SPSN1750Z	SCREW,X2
406		YQ44339A-7	C.GUIDE(R)ASSY	460		LY42517-001A	EJECT LEVER ASSY
406A		YQ32162-1-3	SW.LEVER(R)	461		LY42754-003A	SLIT WASHER
406B		YQ44340-1-4	TORSION SPRING	462		YQ31833-1-1	LED GUIDE
407		LY42819-001A	SCREW	463		LY42722-001A	SCREW
408		LY31826-001A	MOTOR BRACKET ASSY	464		LY42729-001A	DRUM SPACER
409		YQ20793	WORM BRACKET	465		LY42722-001A	SCREW,X2
410		LY42722-001A	SCREW,X3	466		QSW0888-002	ROTARY ENCODER
411		LY31925-001A	WHEEL GEAR	467		LY42722-002A	SCREW,X4
412		LY42730-001A	MIDDLE GEAR	468		LY31814-001A	LIMK LEVER
413		LY42521-001A	CANCEL LEVER ASSY	469		YDV2099A	DRUM ASSY
414		LY42754-003A	SLIT WASHER,X2	469A		YDM1003-1-5	CATCHER
415		YQ20827-2-1	CONTROL CAM	469B		QYSPSPU1735M	SCREW,X2
416		PQM30017-25	SLIT WASHER	470		LY42722-001A	SCREW,X2
417		LY42733-001A	LOADING GEAR(T)ASSY	471		SPSH1740Z	SCREW,X2
418		LY42754-003A	SLIT WASHER	472		YU42051	BRUSH
419		LY42732-001A	LOADING GEAR(S)ASSY	473		LY42722-003A	SCREW
420		LY42754-003A	SLIT WASHER				
421		LY42403-001A	COVER PLATE				
422		LY42452-001A	LOADING RING ASSY				
423		LY42728-001A	SCREW,X4				
424		LY10239-001A	GUIDE RAIL				
425		LY42728-001A	SCREW,X8				
426		LY30161-001B	POLE BASE(S)ASSY				
427		LY30162-002A	POLE BASE(T)ASSY				
428		LY42523-001A	DRIVE LEVER ASSY				
429		LY42545-001A	SLANT ARM ASSY				
429A		LY42547-001A	TORSION SPRING(S)				
430		LY42754-003A	SLIT WASHER				
431		LY42739-001A	ROLLER BASE ASSY				
432		LY42722-001A	SCREW				
433		LY42494-001A	LINK ARM ASSY				
434		LY31814-001A	LINK LEVER				
435		LY40018-002A	PINCH ROLLER ARM ASSY				
436		PQM30017-25	SLIT WASHER,X2				
437		LY42541-001A	TAKE-UP GUIDE ARM ASSY				
438		LY42754-003A	SLIT WASHER				
439		LY42571-001A	TENSION ARM ASSY				
439A		LY42669-001A	TENSION SPRING				
440		LY42754-003A	SLIT WASHER				
441		YQ20797-1-5	MOTOR BASE				
442		LY42722-001A	SCREW,X2				
443		YQ44460	SCREW				
444		QAR0116-001	CAPSTAN MOTOR				
445		YQ44304	TAPPING SCREW,X3				
446		LY42731-001A	SLANT POLE BASE ASSY				
447		YQ44304	TAPPING SCREW				
448		YQ43710-2	TIMING BELT				
449		LY42678-001A	CENTER PULLEY UNIT				
450		LY42722-002A	SCREW,X2				
451		LY42670-001A	SUPPLY CLUTCH ASSY				
452		LY42754-003A	SLIT WASHER				
453		YQ31861-1-7	REEL DISC				